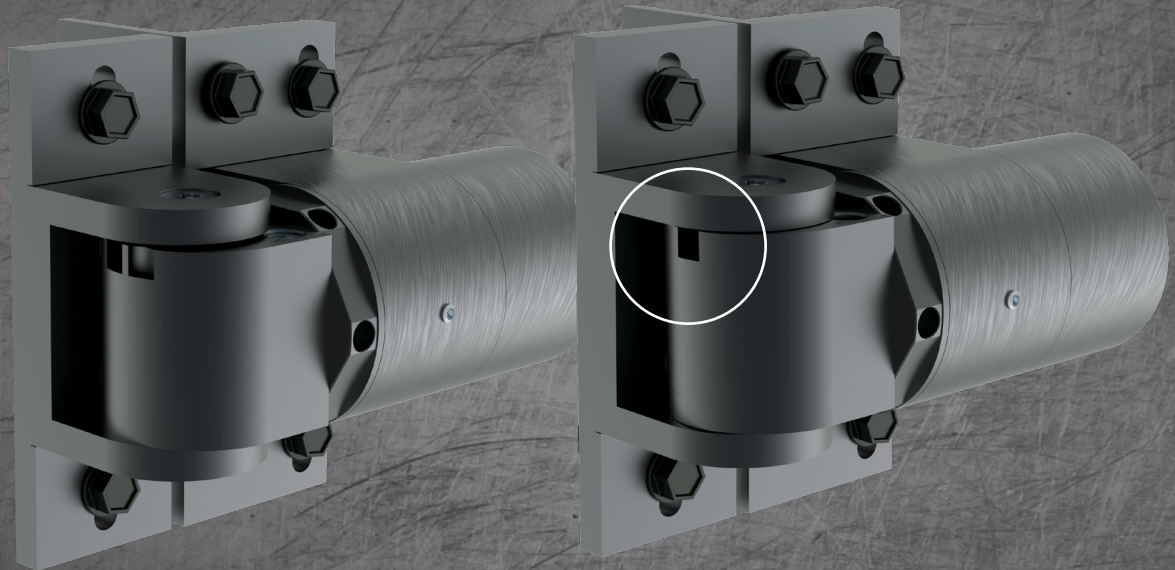




SureClose® READYFIT 180° Hinge-Closer Kit

(Hinge-Closers are BOLTED to the gate and post)

Replacement of 74108333T or 74108335T hinge-closer (1 dimple) with new 74108323T or 74108325T hinge-closer, plus install GateStop™ 7403



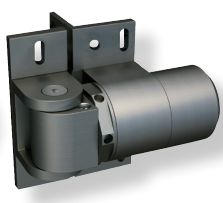
Note: 74108333T and 74108335T hinge kits have 1 or 2 dimples (see circle above). Replace ONLY the 1 DIMPLED hinge-closer with new 74108323T screw-on or 74108325T weld-on.

REPLACEMENT PARTS LIST – SUPPLIED BY D&D TECHNOLOGIES

PART NUMBER	PART DESCRIPTION	QTY	NOTES
74108323T	RF 108SF S Aluminum	1	To replace 1-dimple 74108333T with safety hinge-closer
74108325T	RF108SF W Steel		To replace 1-dimple 74108335T with safety hinge-closer
7403	SC RF GateStop™	1	To be installed on gate to prevent gate opening beyond 88°



RF 108SF S
74108323T HINGE-CLOSER



RF 108SF W
74108325T HINGE-CLOSER











7403 RF GATE STOP

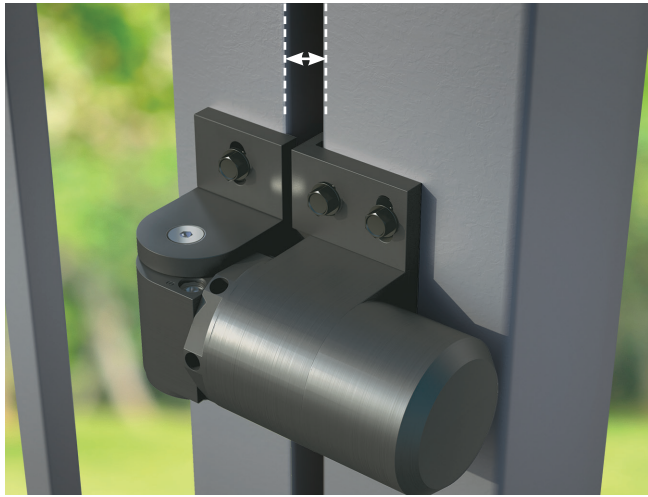
SAFETY FIRST

- Use suitable PPE (Personal Protective Equipment)
- Always have the gate fully supported and secured before removing the hinge.
- Remove the existing 1-dimpled hinge and Mounting brackets and replace with new hinge-closer.

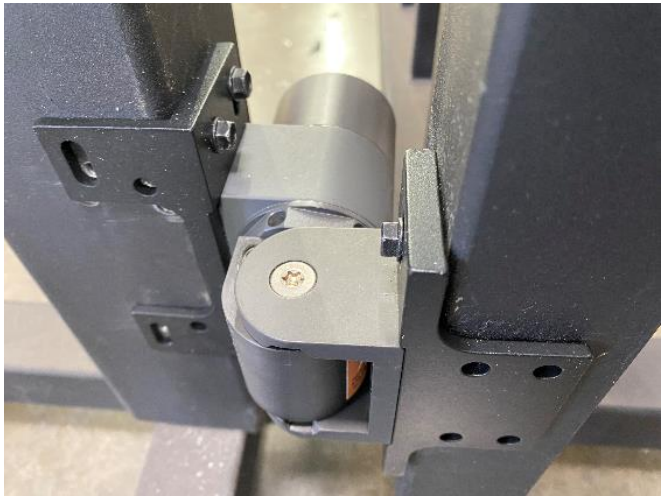
TOOLS REQUIRED

							
Ruler	Torque Wrench	T30 Security Torx Bit	Crescent Wrench	2.5mm Hex Key	Adjustment Tool (Supplied with original purchase)	Power Tool	5/16" (8mm)

1 Measure the gate gap on the hinge-closer of the 1-dimple hinge before removal



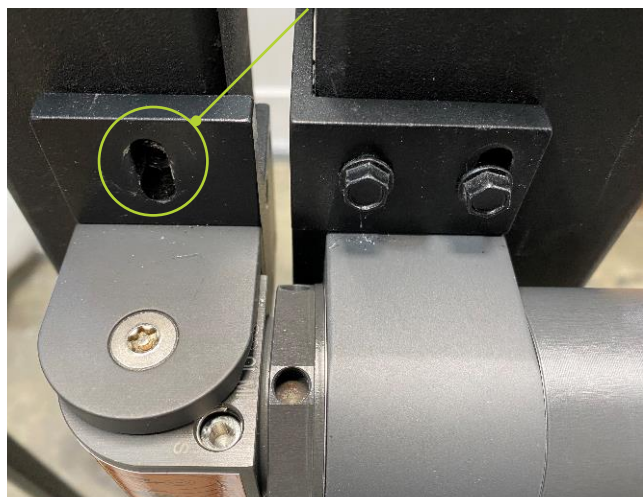
2 Open the gate and remove the 8 screws from the side-fixing legs of the hinge-closer with 1-dimple only



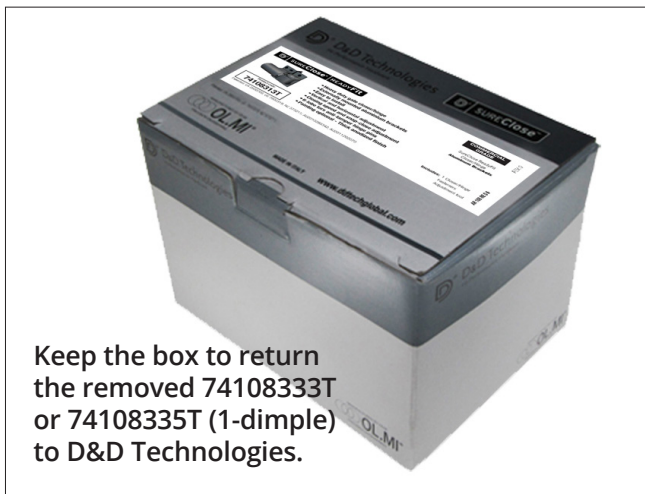
- 3** Place a jack or blocks underneath the gate and adjust until it supports the gate and holds the gate in position.



- 4** Remove all 6 front screws of the hinge-closer with 1-dimple, from both the gate and post.



- 5** Take the new 74108323T or 74108335T hinge-closer from its box.



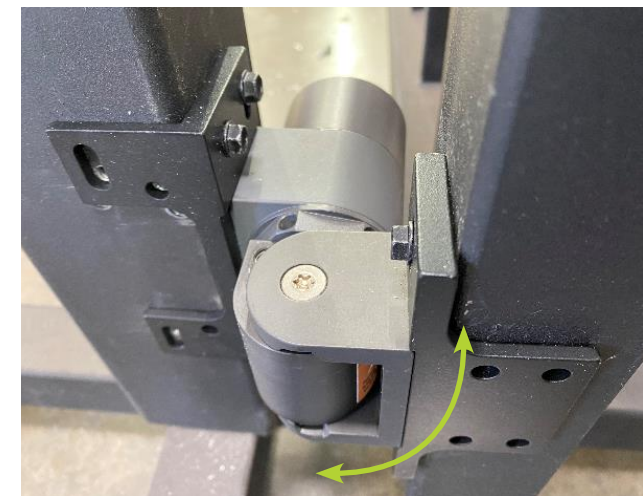
- 6** Adjust the horizontal gap of the new 74108323T or 74108335T hinge-closer to match the gate gap of step 1.



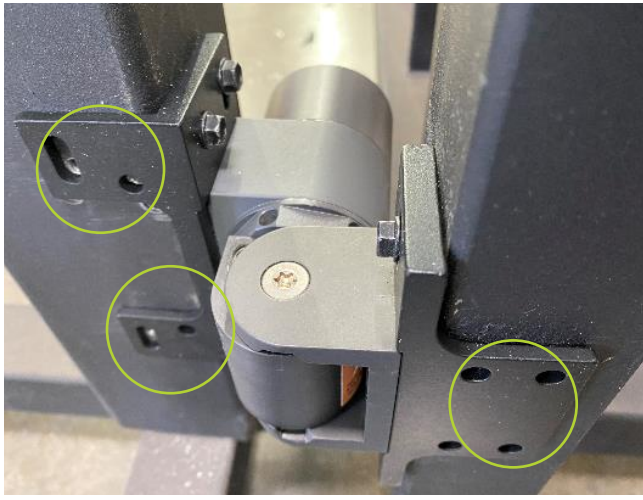
- 7** Using the existing holes, fasten the new hinge-closer to the gate and post via mounting the mounting bracket



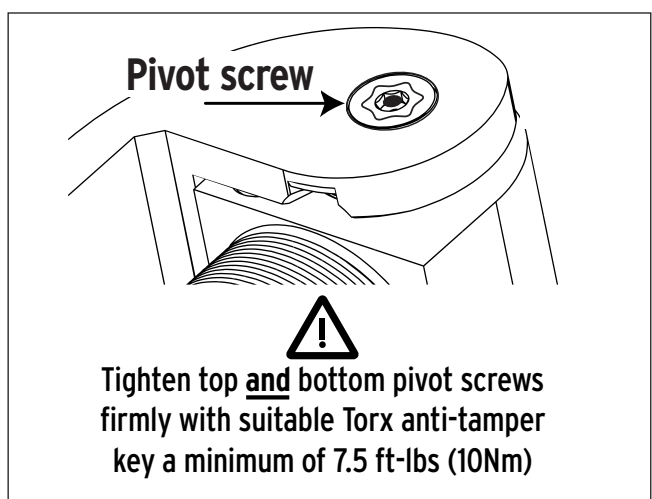
- 8** Open the gate to 90°



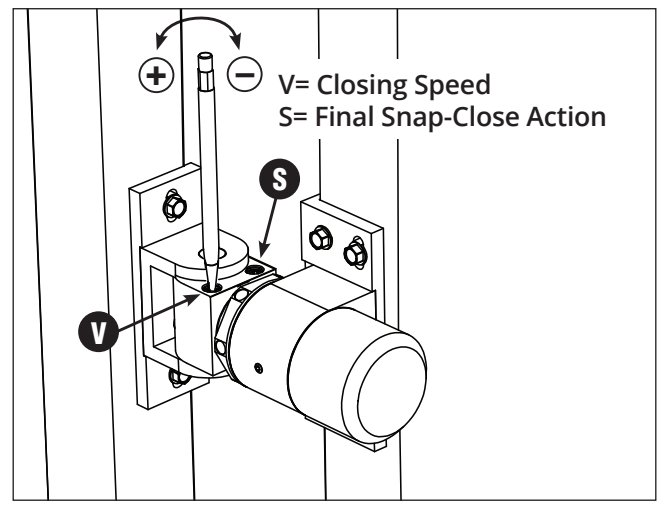
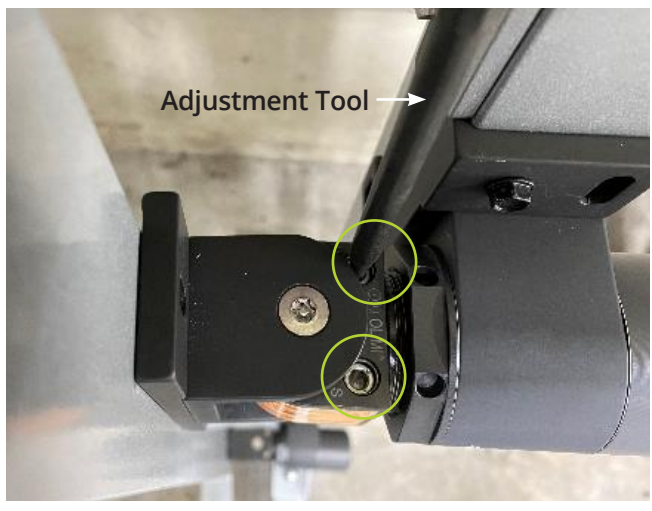
9 Fasten the new hinge-closer legs to the gate and post using existing holes



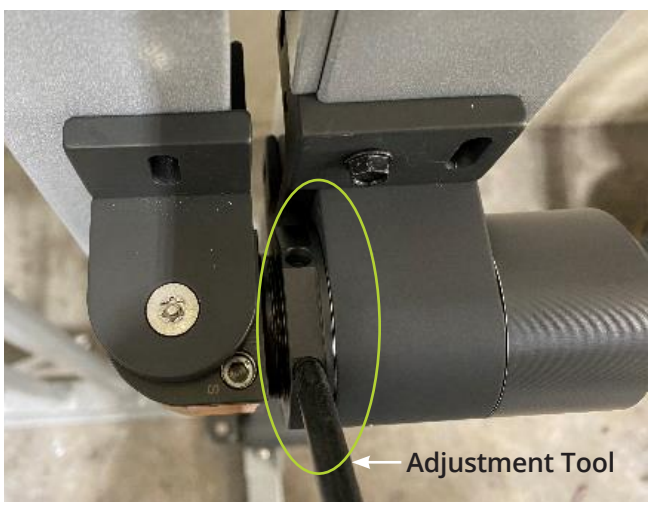
10 Tighten the Torx screws at the top and bottom of hinge-closer.



11 Use the adjustment tool supplied to adjust the closing speed and snap-close action



12 For fine lateral adjustment, rotate the adjuster ring using the tool supplied. Adjusts horizontal position to desired gate gap measured in Step 1.



13 Installing the GateStop™ - overview

CAUTION: A Gate-Stop MUST be installed when using 'SF' models. Gate MUST NOT be allowed to open past 85°. Doing so voids warranty.

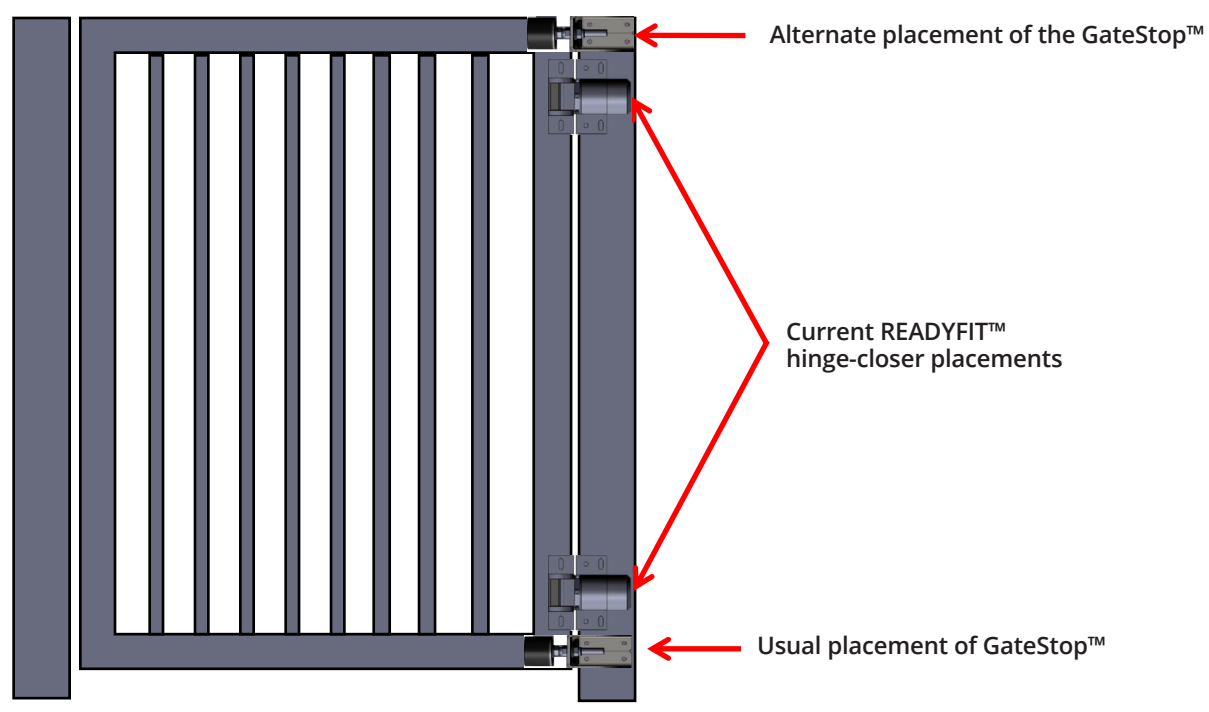
Adjustable, to stop gate at 85°



Reversible mounting for left or right-hand opening. For larger gaps, adjust hinge and GateStop equally to ensure the gate does not open past 85°.

Install the GateStop onto the fence post at the safest height to make contact with a cross-rail or kick-plate for added strength.

14 Observe placement of the ReadyFit™ GateStop™

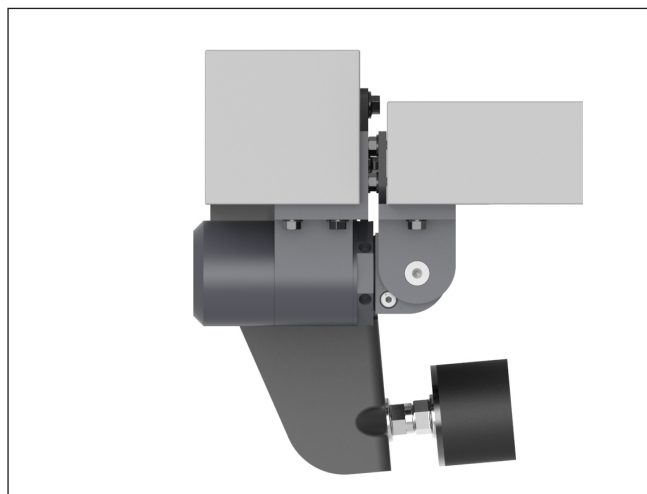


If the current placement of the hinge-closers meets local pool codes, then installing the READYFIT™ GateStop™ either above the top hinge or below the bottom hinge, will also meet pool codes. Refer to illustration above for an example.

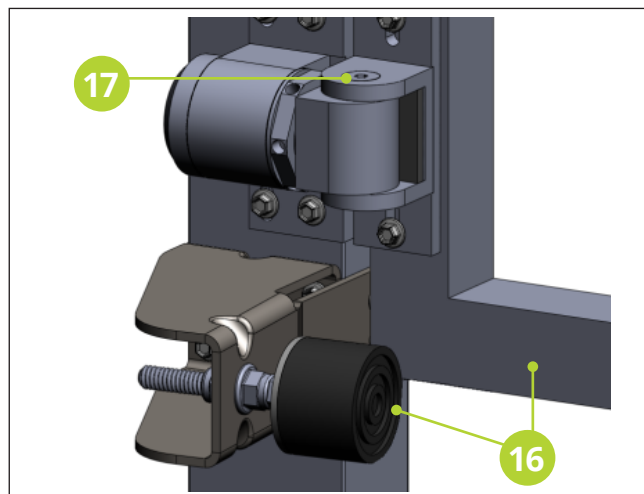
Observe placement of the READYFIT™ GateStop™ where it may become a possible tripping or trapping hazard, and if necessary, paint the GateStop™ in a bright colour, e.g. yellow or white

! If unsure, the installer to seek advice from local authority for the placement of the GateStop™.

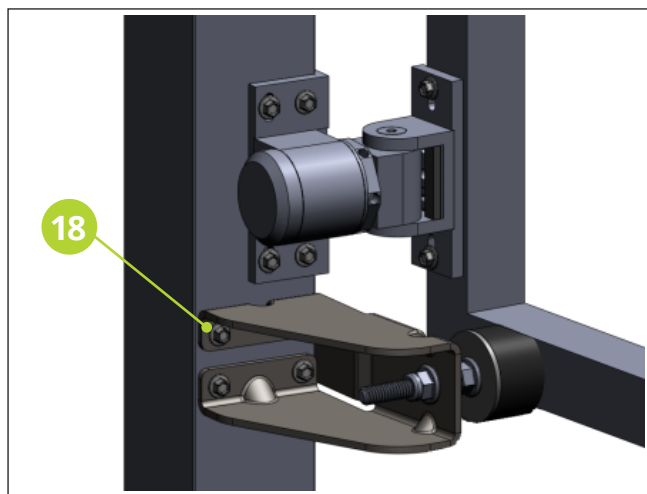
- 15** Position the GateStop™ on the fence post



- 16** Install the GateStop™ onto the fence post at the safest height to make contact with a cross-rail or kick-plate for added strength.

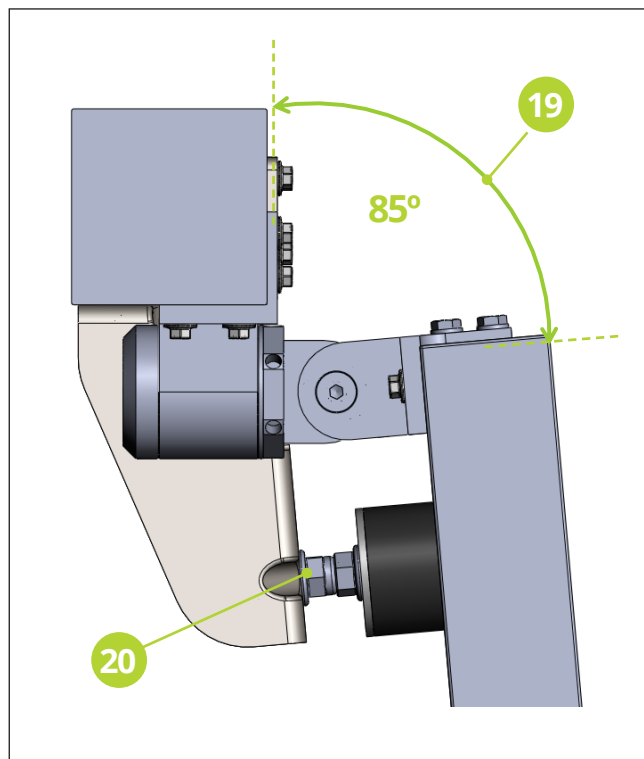


- 18** Secure the GateStop™ to the fence post (both front face and side legs). Fixing of side legs require the gate to be opened. Note: Fix 8 screws in total.



- 17** If the GateStop™ is fitted close to the SureClose® hinge-closer ensure you have sufficient access to adjust the valve(s).

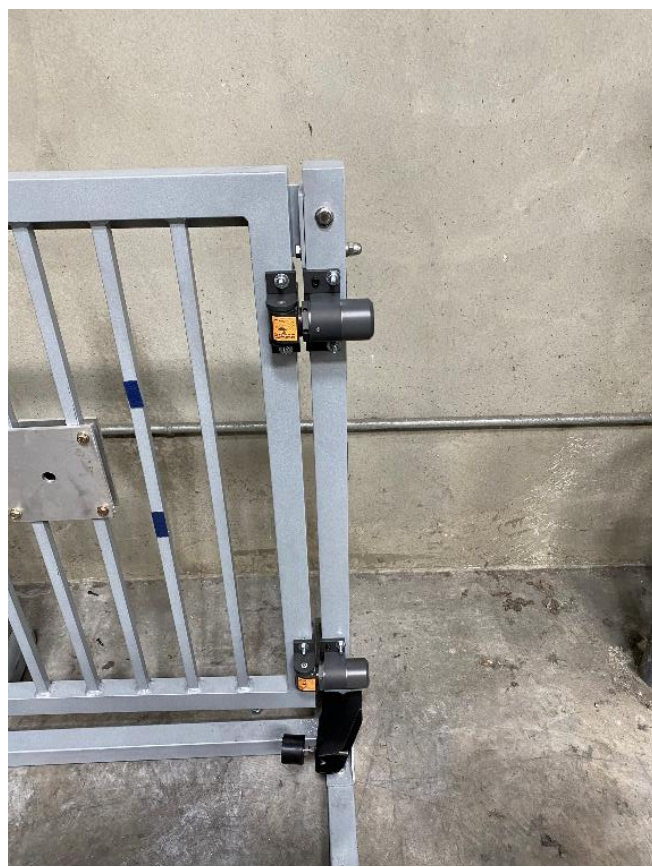
- 19** Adjusting the GateStop™: Open the gate until the opening angle (arc) reaches 85° and hold gate open.



- 20** While holding gate open, adjust the nuts and stud until the rubber bumper abuts the member of the gate. Allow the rubber bumper to deform to simulate a forced opening.

- 21** Check GateStop™ stops the gate at the 85° opening angle. If not adjust the nuts and stud.

22 Test the gate at 45°, 60°, 70°, 80° & 85° to check the gate closes fully. If necessary, go to Step 17 to adjust closing speed and snap-close action.



For further information regarding this product contact the sales department in your area.

NORTH & SOUTH AMERICA:

D&D Technologies (USA) Inc
1-800-716-0888 Monday through Friday 9.00am to 5.00pm (PT),
via email at info@ddtechusa.com or go to our website
www.ddtech.com for further details.

AUSTRALIA & NZ:

D&D Technologies Pty Ltd
+61 2 9454-7888 Mon-Fri 9.00am to 5.00pm (AEST),
via email at sales@ddtech.com.au or go to our website
www.ddtech.com for further details.